



SERVICE MANUAL

Sec. 1: Main Block

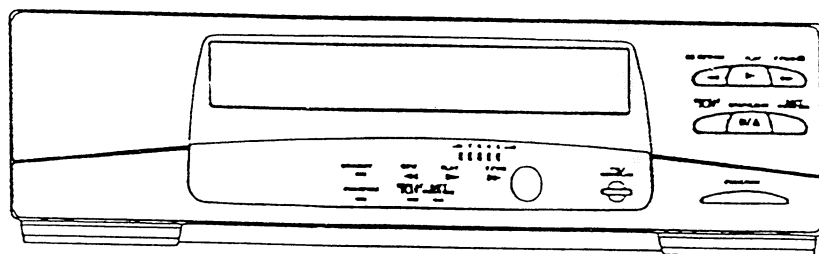
- Specifications
- Preparation for Servicing
- Adjustment Procedures
- Schematic Diagrams
- CBA's
- Exploded Views
- Parts List

Sec. 2: Deck Mechanism Block

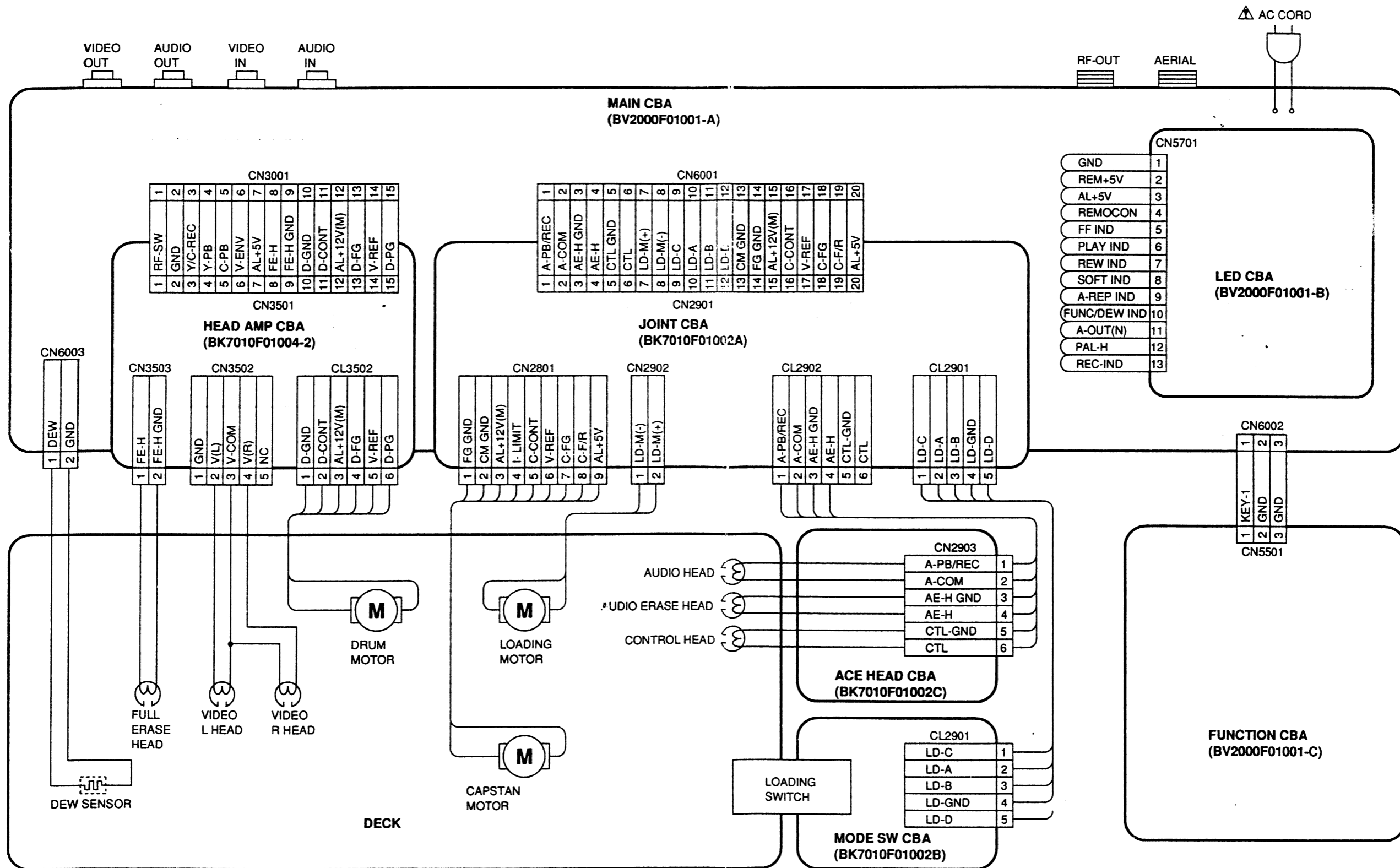
- Standard Maintenance
- Alignment for Mechanism
- Disassembly / Assembly of Mechanism
- Deck Schematic Diagram
- Deck CBA's
- Deck Exploded Views
- Deck Parts List

VIDEO CASSETTE PLAYER

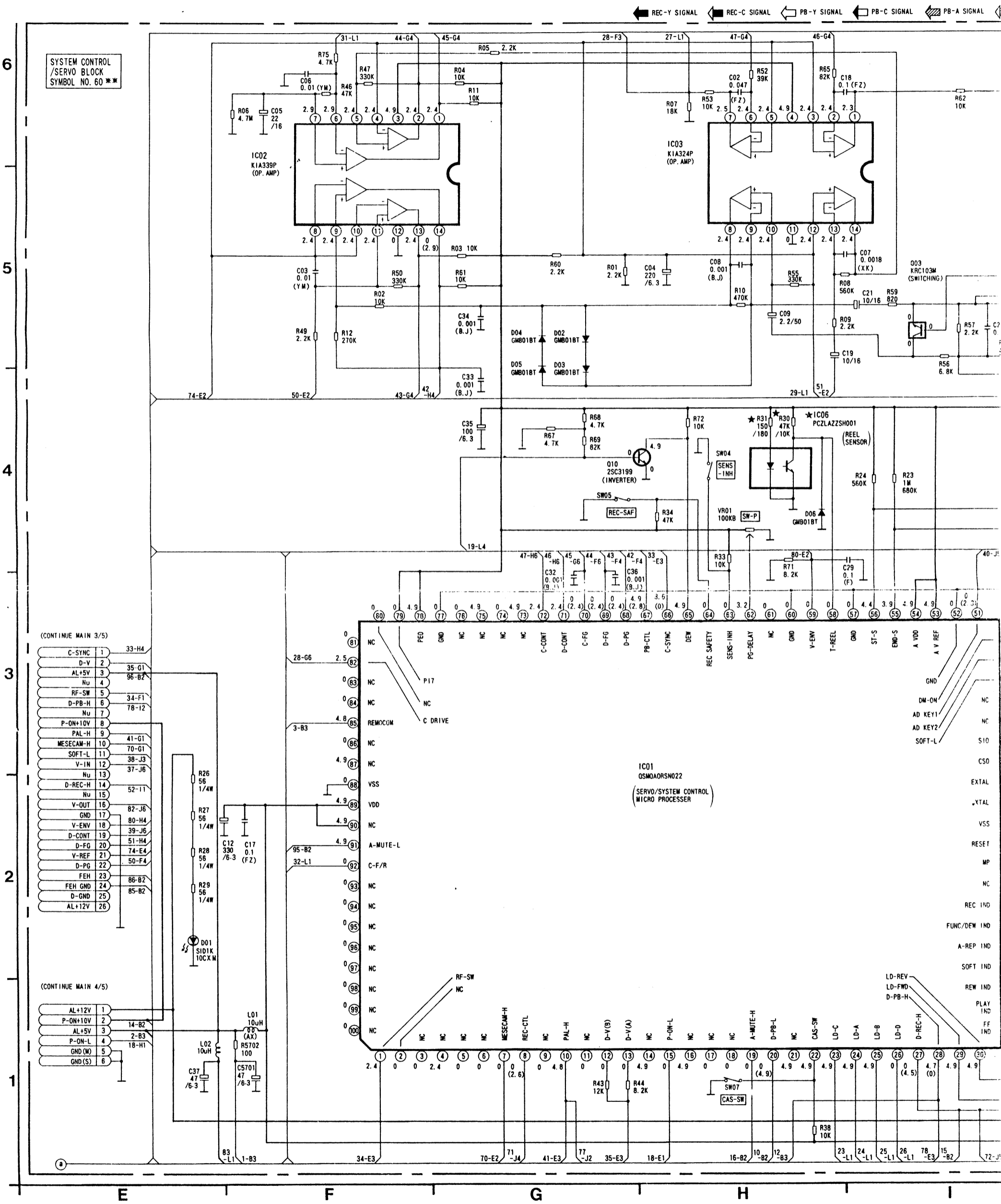
VIP-5000LR



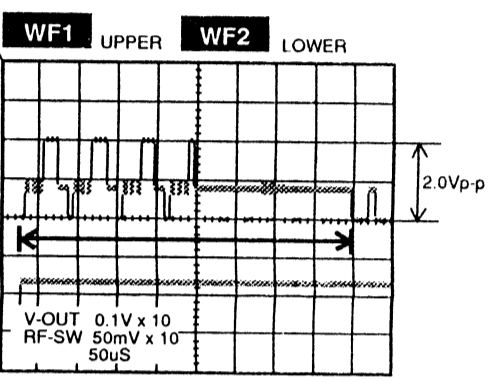
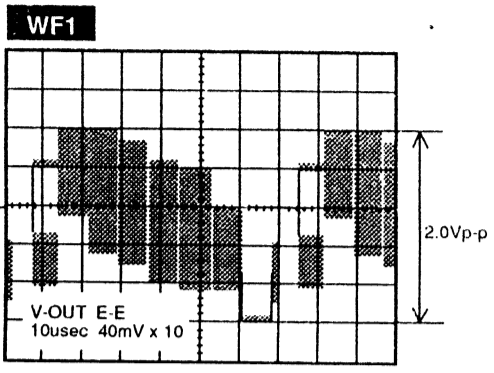
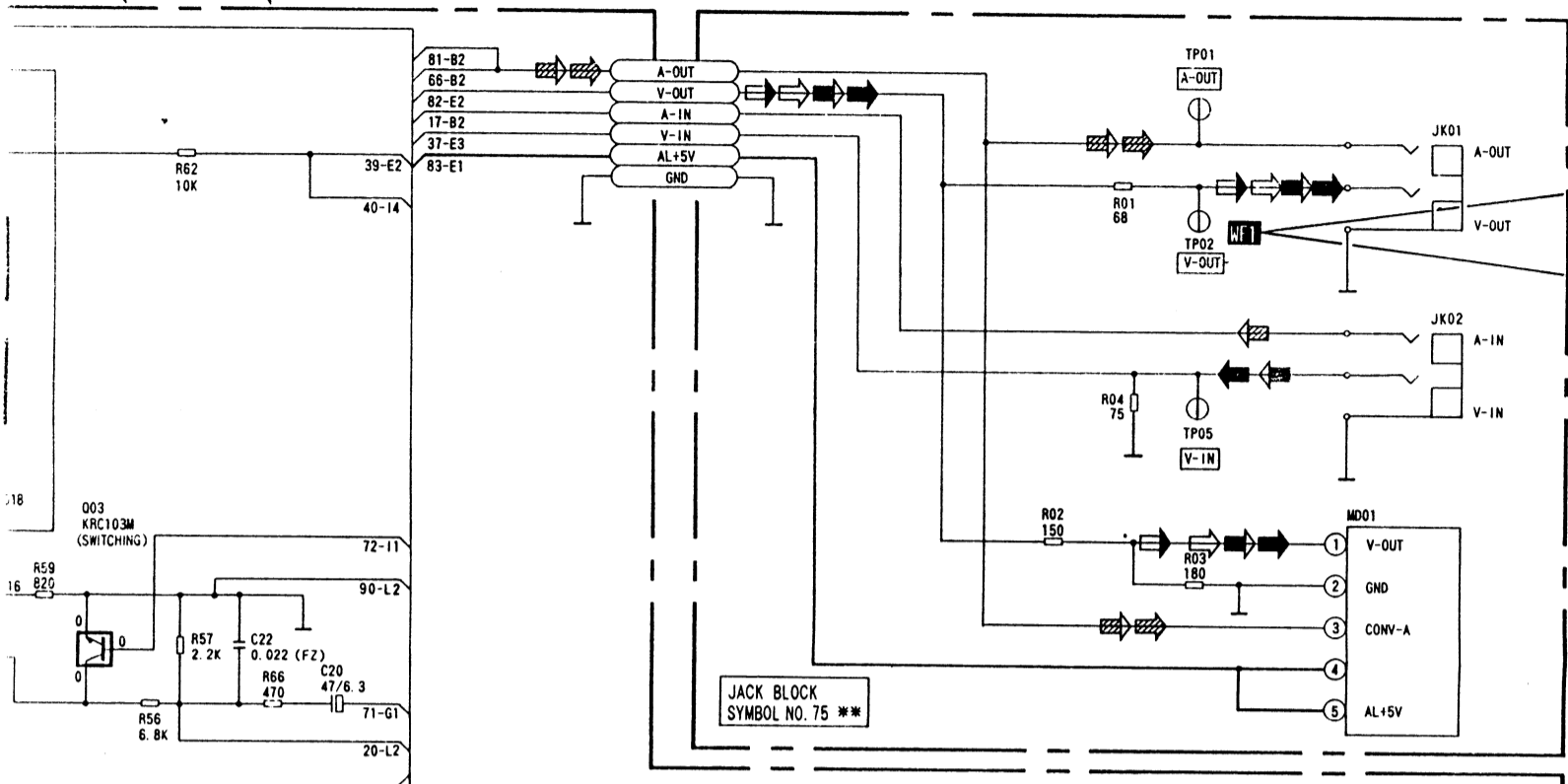
WIRING DIAGRAM (MODEL: E)



Main 2/5 Schematic Diagram (MODEL: E)

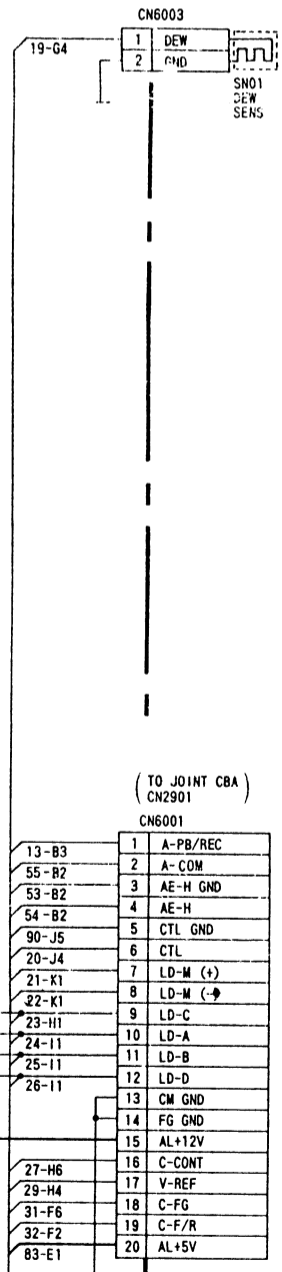
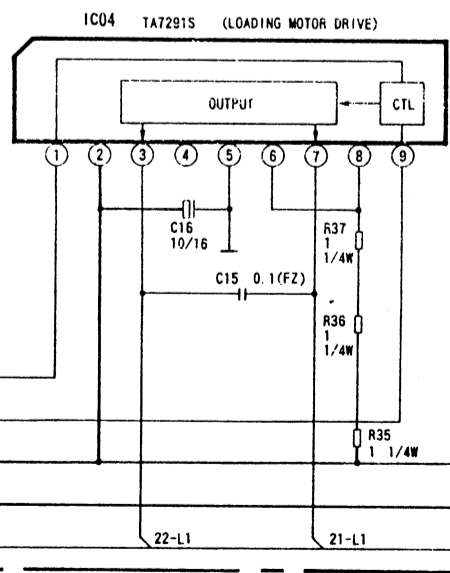
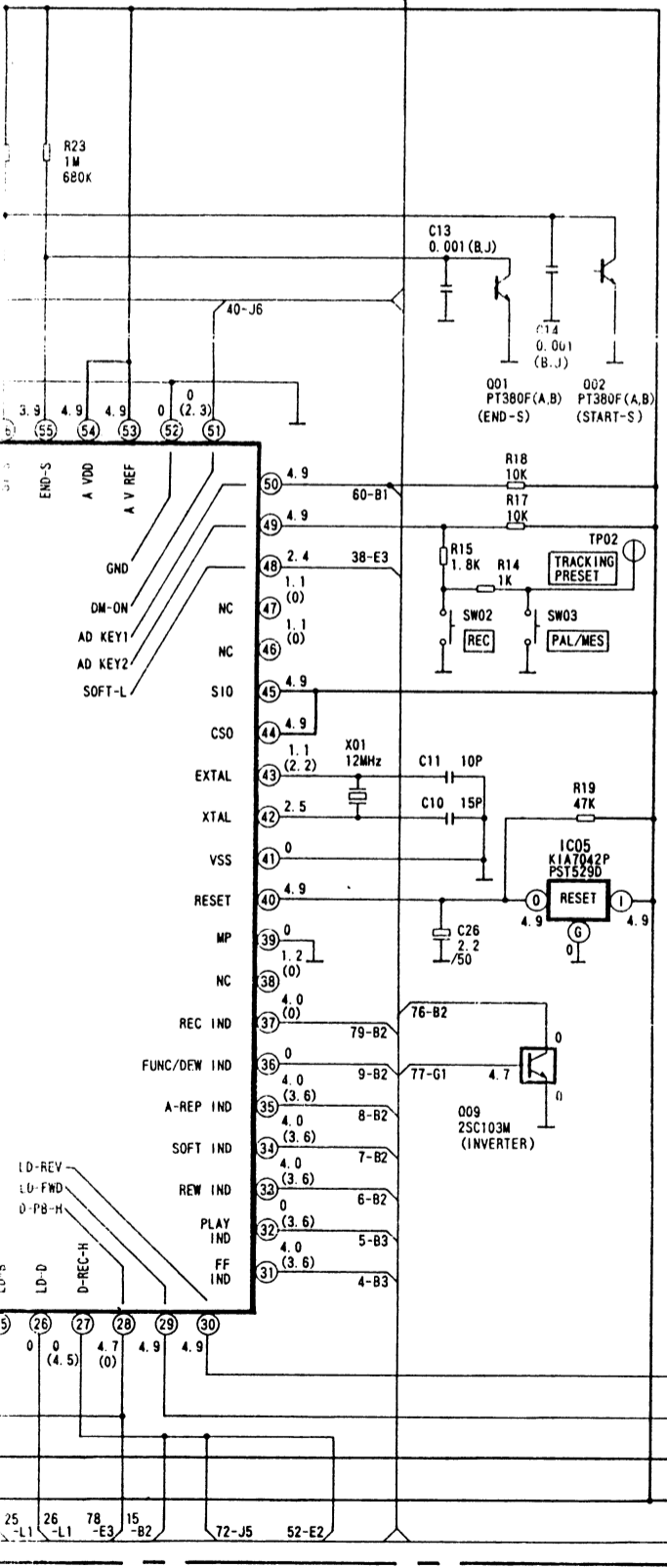


PB-C SIGNAL ← PB-A SIGNAL ← REC-A SIGNAL

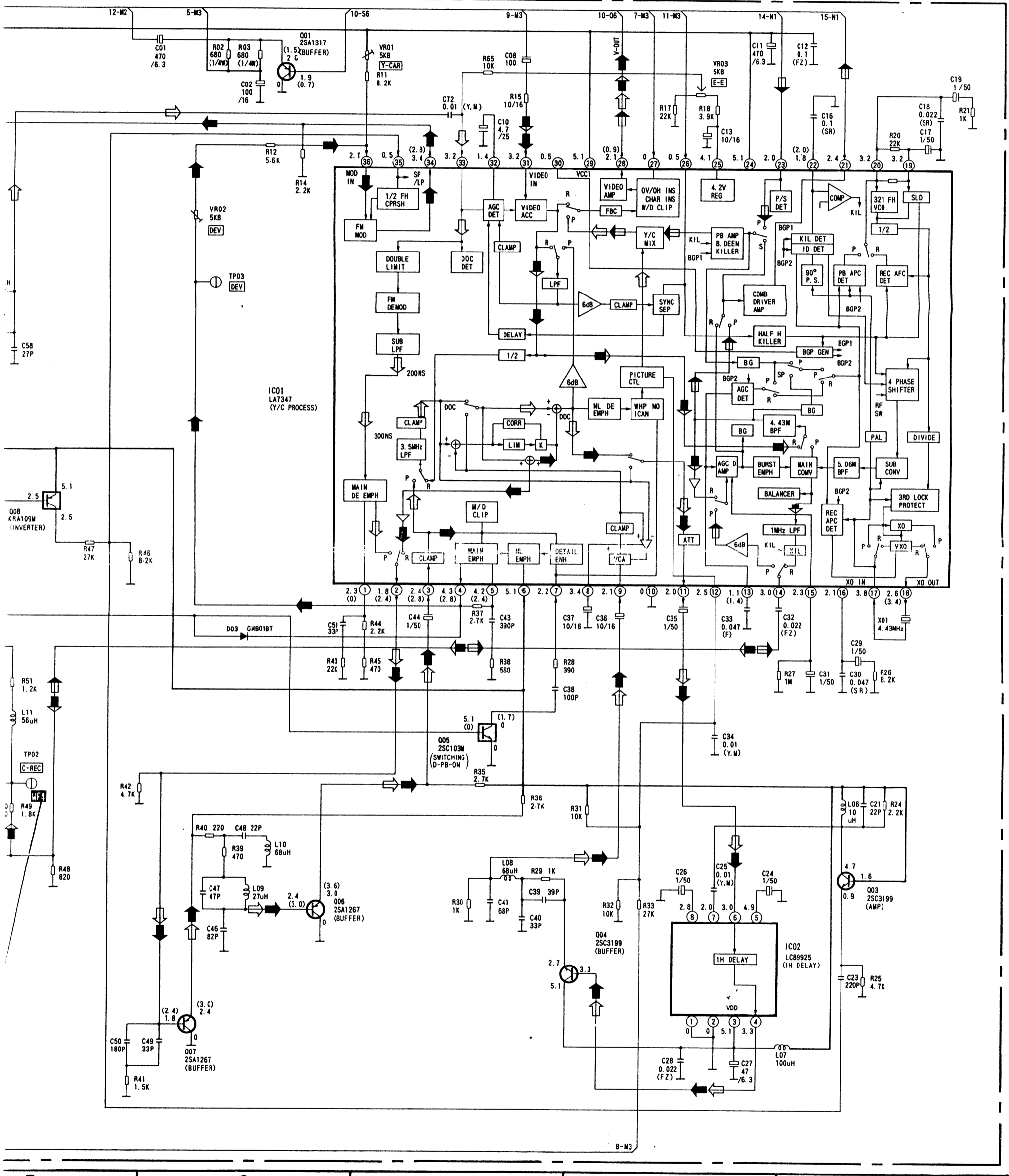


★ Chart for use of Reel Sensor

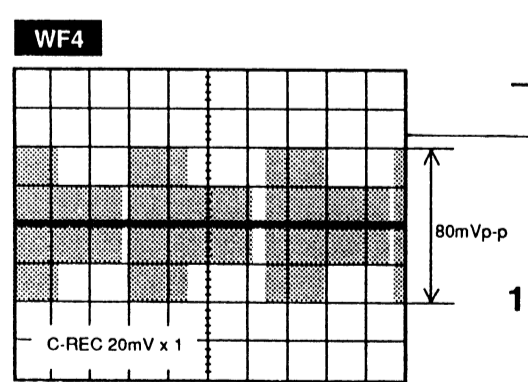
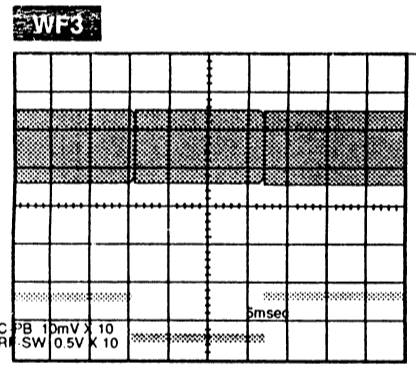
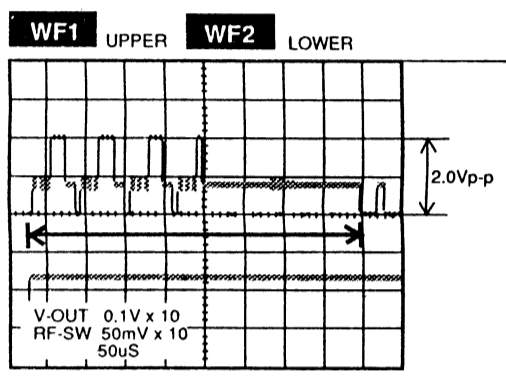
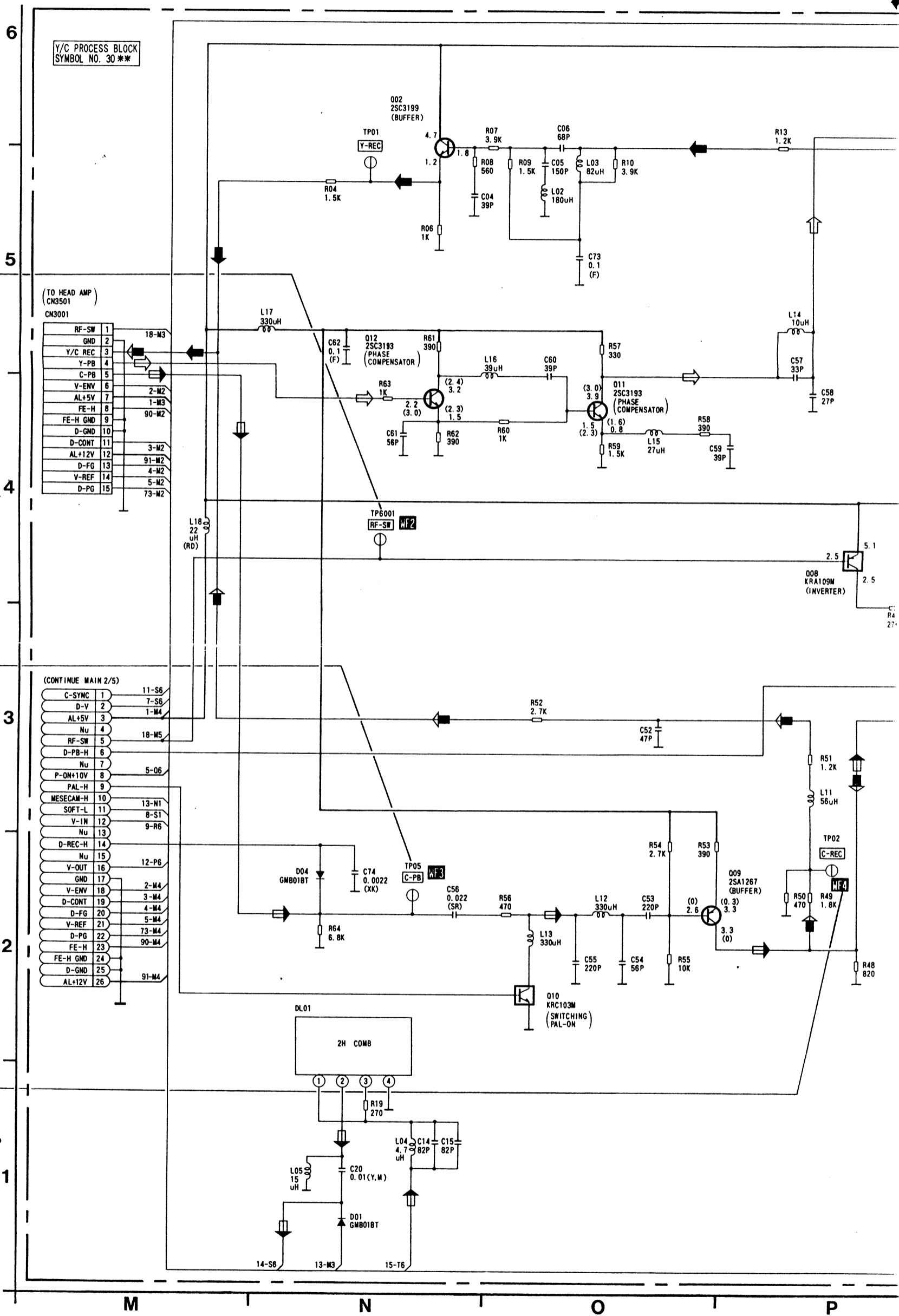
Ref No.	Part No.	Part No.
IC6006	GP1S36	SG-211L
R5030	47K	10K
R6031	150Ω	190Ω



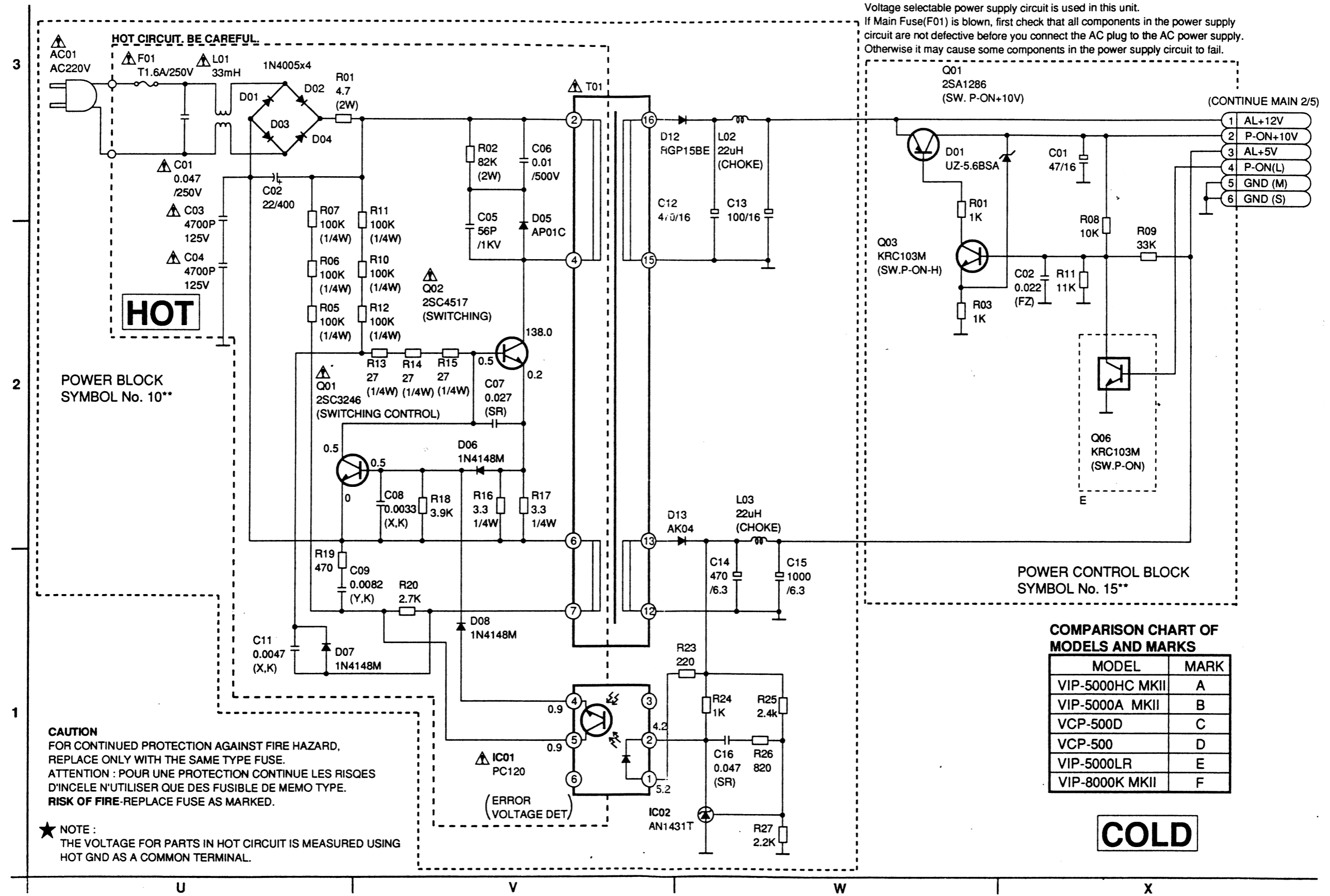
REC-Y SIGNAL REC-C SIGNAL PB-Y SIGNAL PB-C SIGNAL



Main 3/5 Schematic Diagram (MODEL: E)



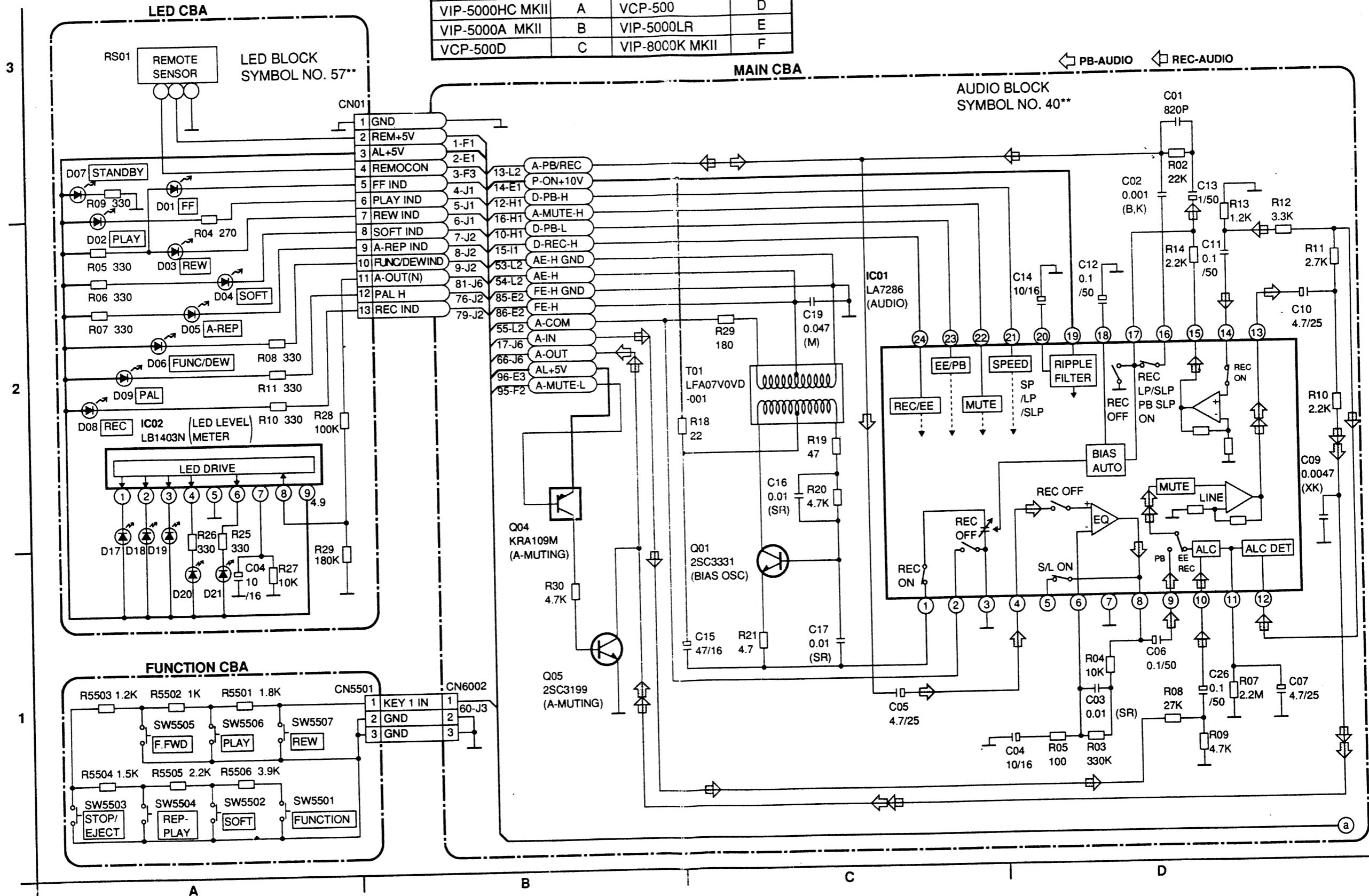
Main 4/5 Schematic Diagram (MODELS: E, F)



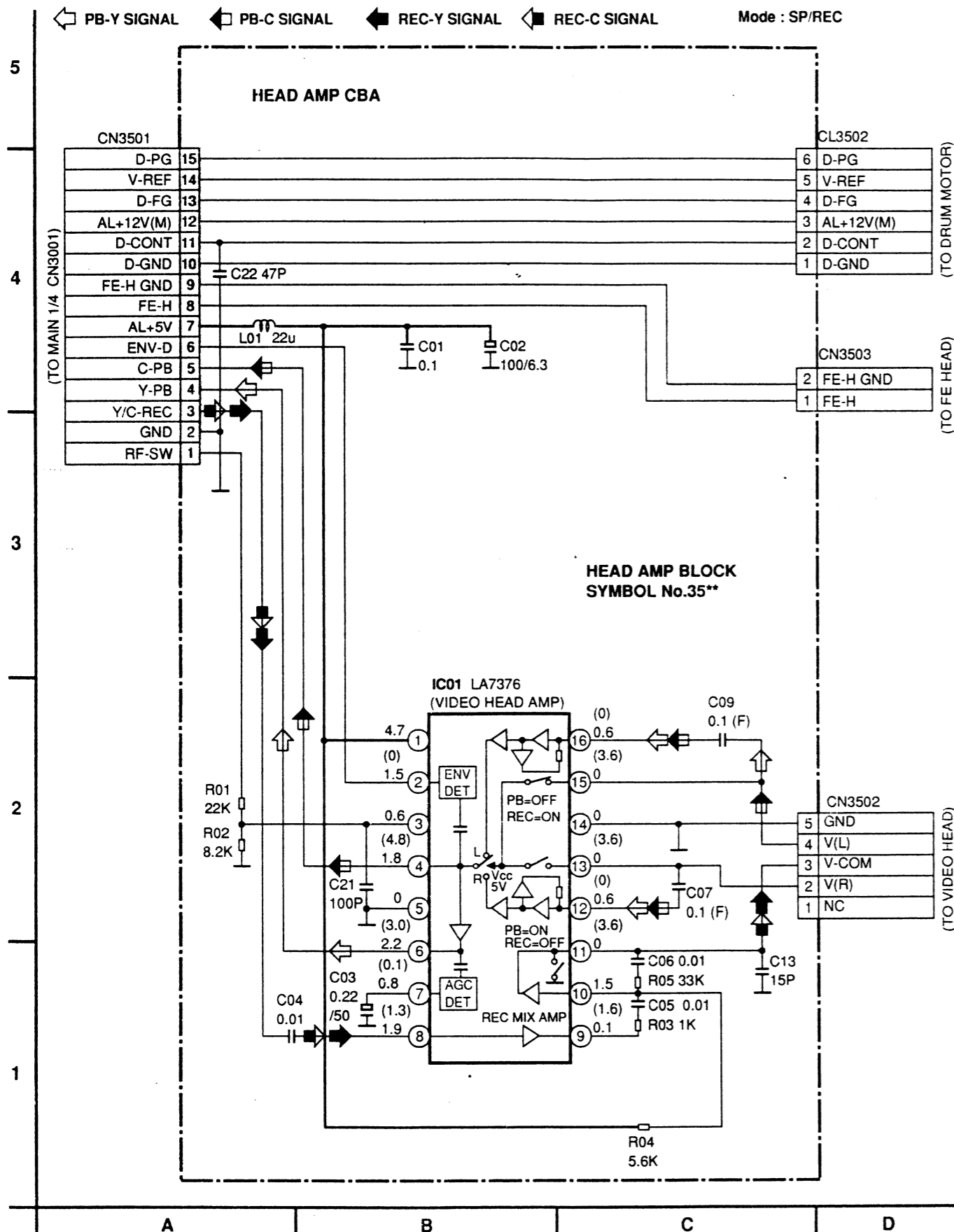
Main 1/5 Schematic Diagram (MODEL: E)

COMPARISON CHART OF MODELS AND MARKS

MODEL	MARK	MODEL	MARK
VIP-5000HC MKII	A	VCP-500	D
VIP-5000A MKII	B	VIP-5000LR	E
VCP-500D	C	VIP-8000K MKII	F

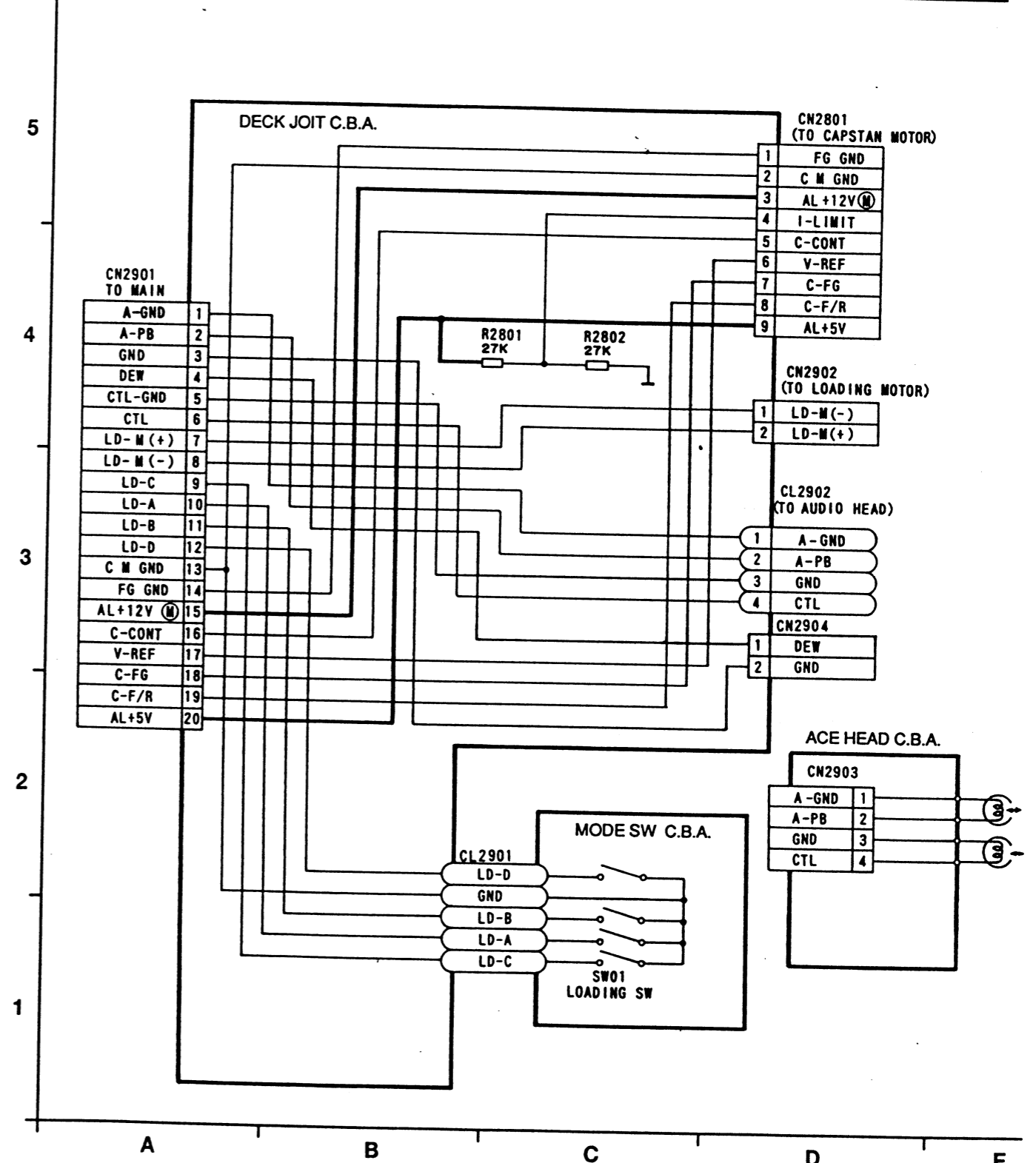


Head Amp Schematic Diagram (MODELS: A, B, C, D, F)



K4110SCH

Head Amp Schematic Diagram (MODELS: E)



2-5-2

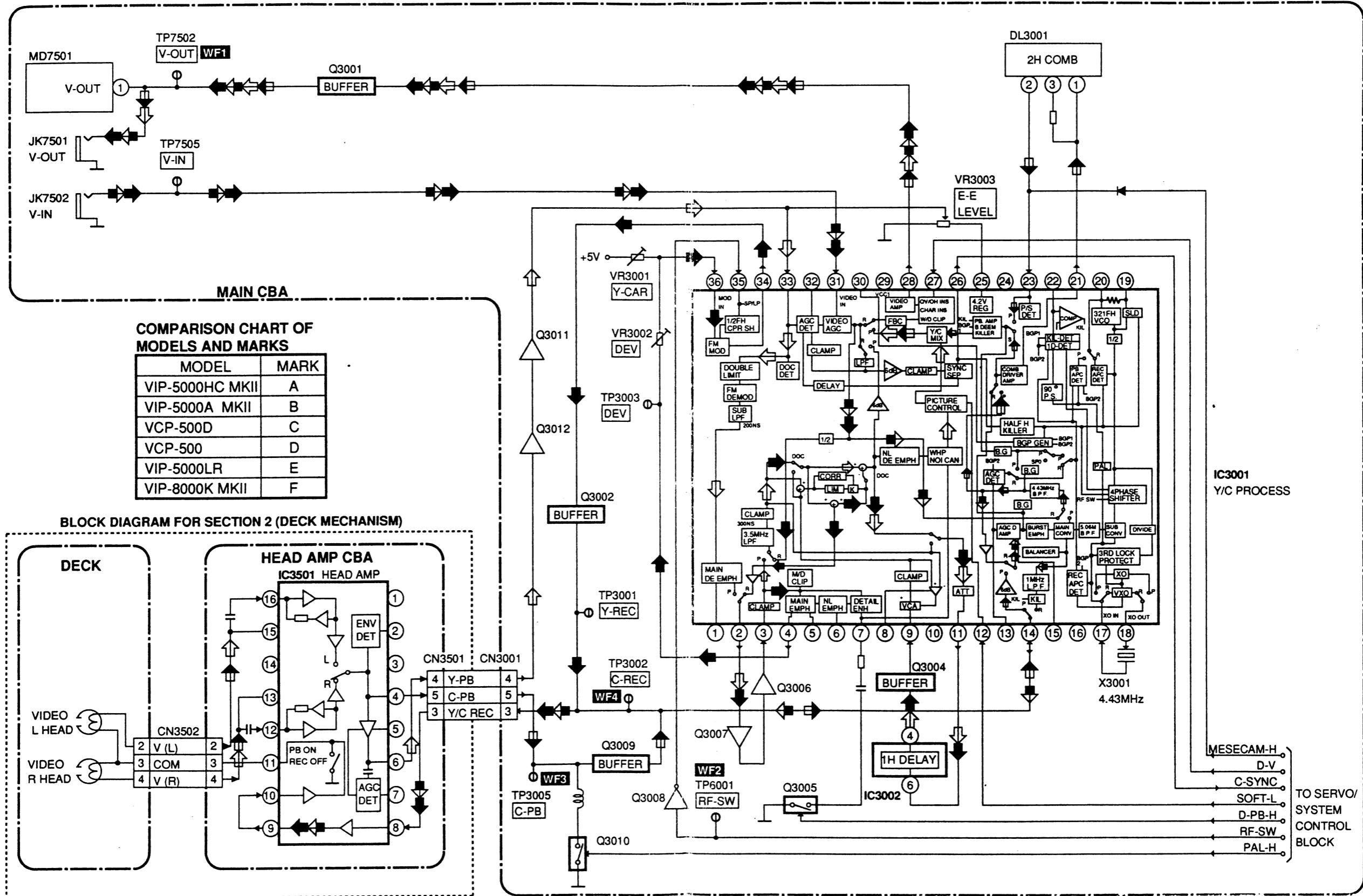
COMPARISON CHART OF MODELS AND TYPES

MODEL	MARK
VIP-5000HC MKII	A
VIP-5000A MKII	B
VCP-500D	C
VCP-500	D
VIP-5000LR	E
VIP-8000K MKII	F

K4000-SCH

Video (MODEL: E)

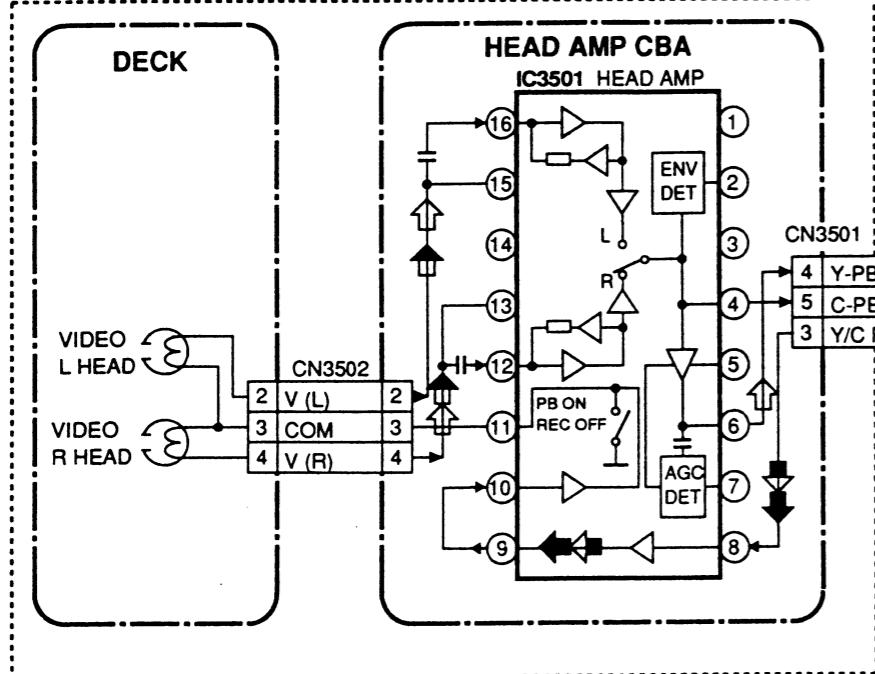
REC-Y SIGNAL ← REC-C SIGNAL ← PB-Y SIGNAL ← PB-C SIGNAL Mode : SP/REC



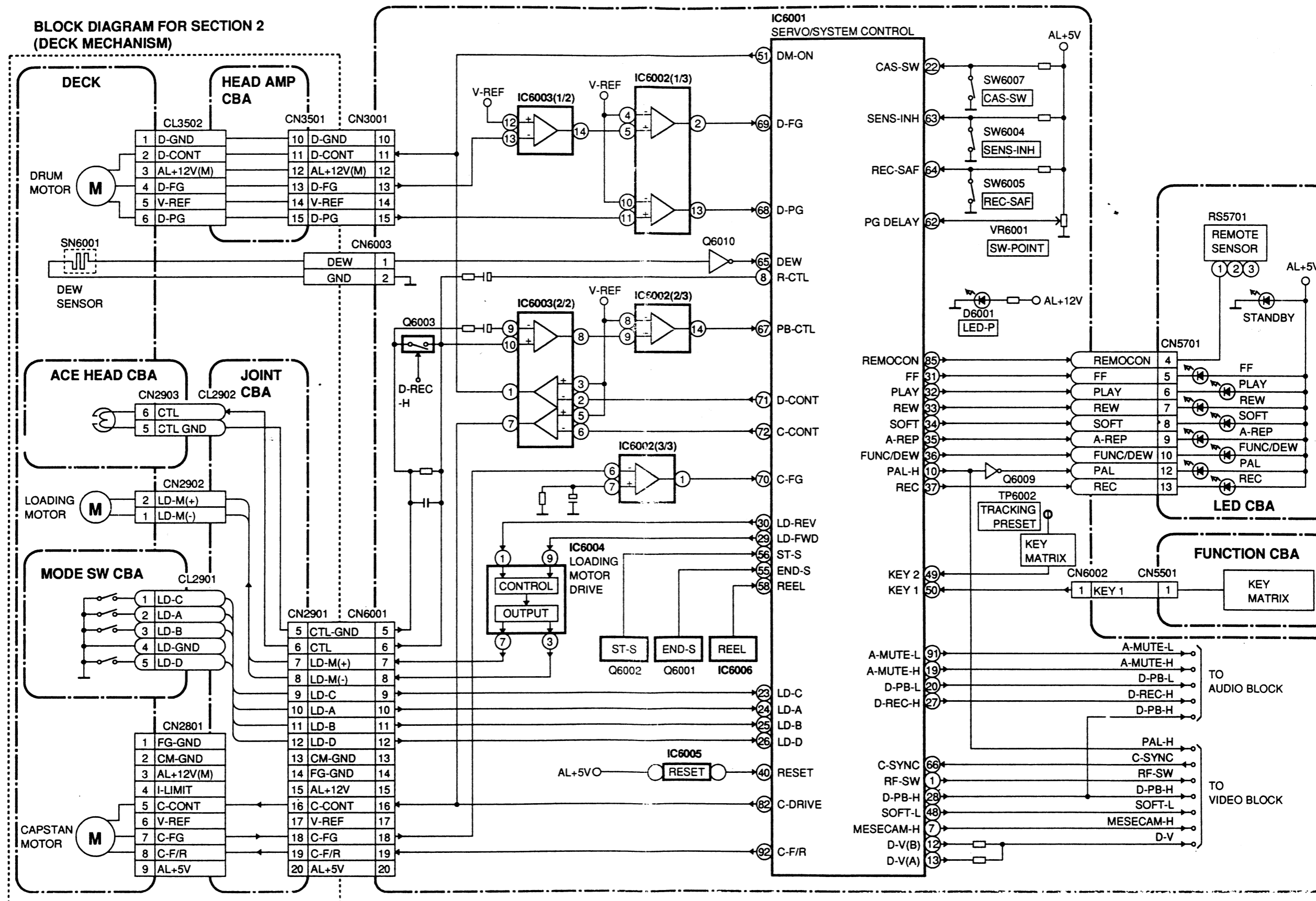
COMPARISON CHART OF MODELS AND MARKS

MODEL	MARK
VIP-5000HC MKII	A
VIP-5000A MKII	B
VCP-500D	C
VCP-500	D
VIP-5000LR	E
VIP-8000K MKII	F

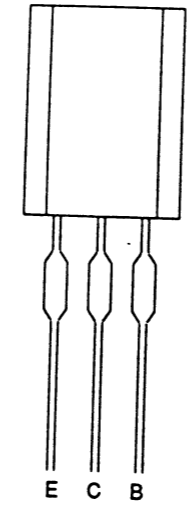
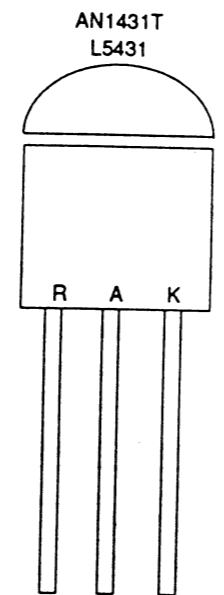
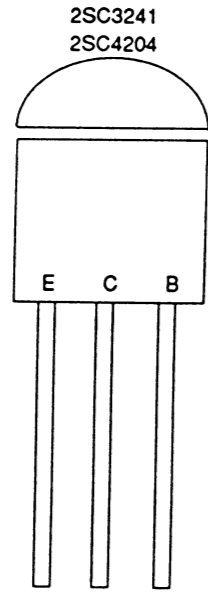
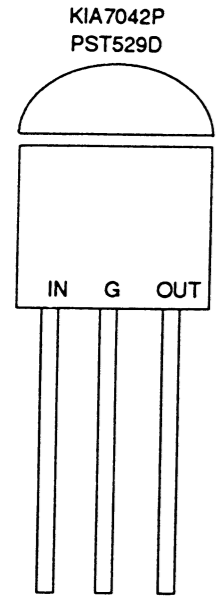
BLOCK DIAGRAM FOR SECTION 2 (DECK MECHANISM)



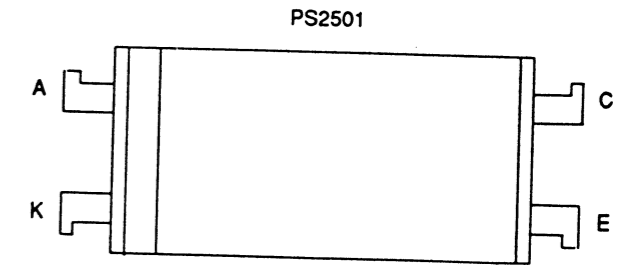
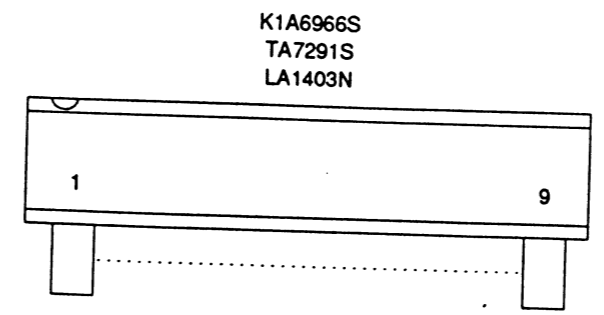
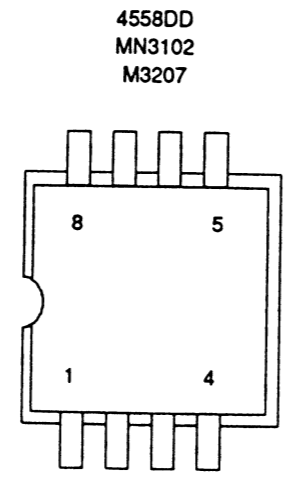
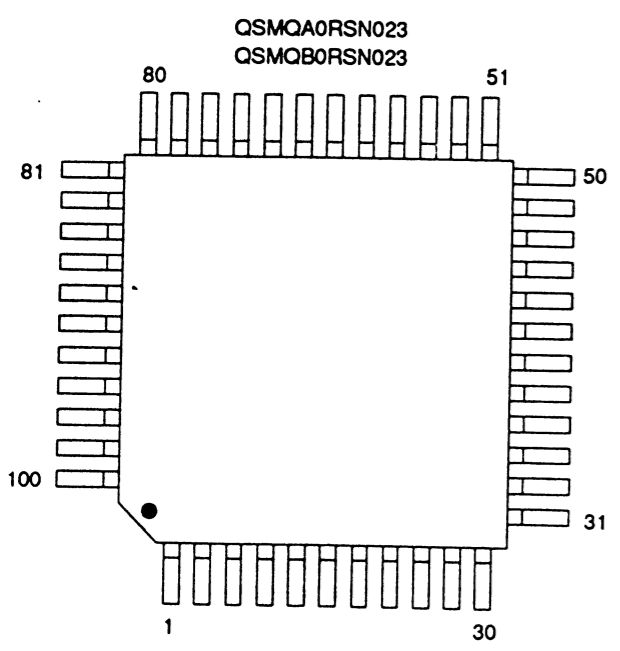
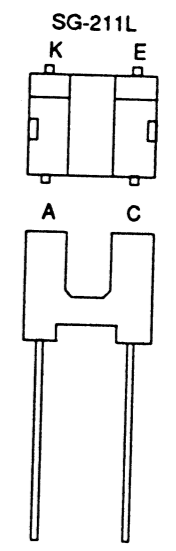
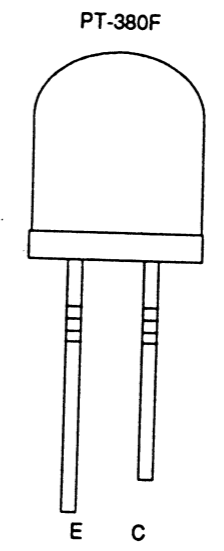
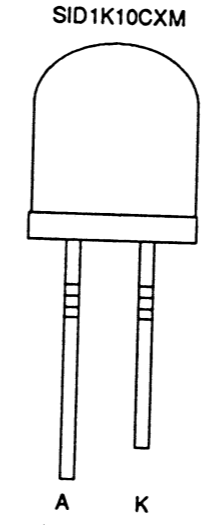
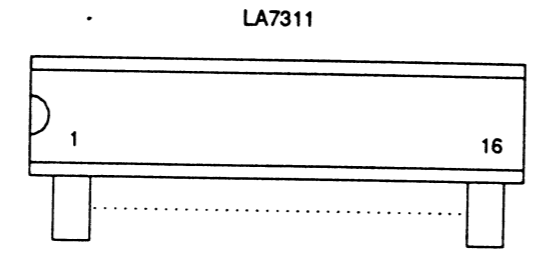
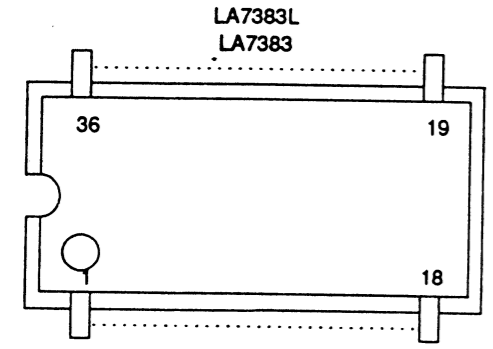
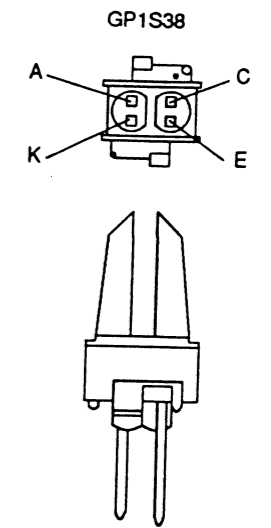
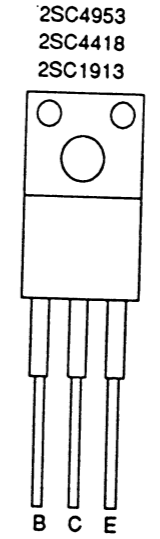
Servo/System Control (MODEL: E)



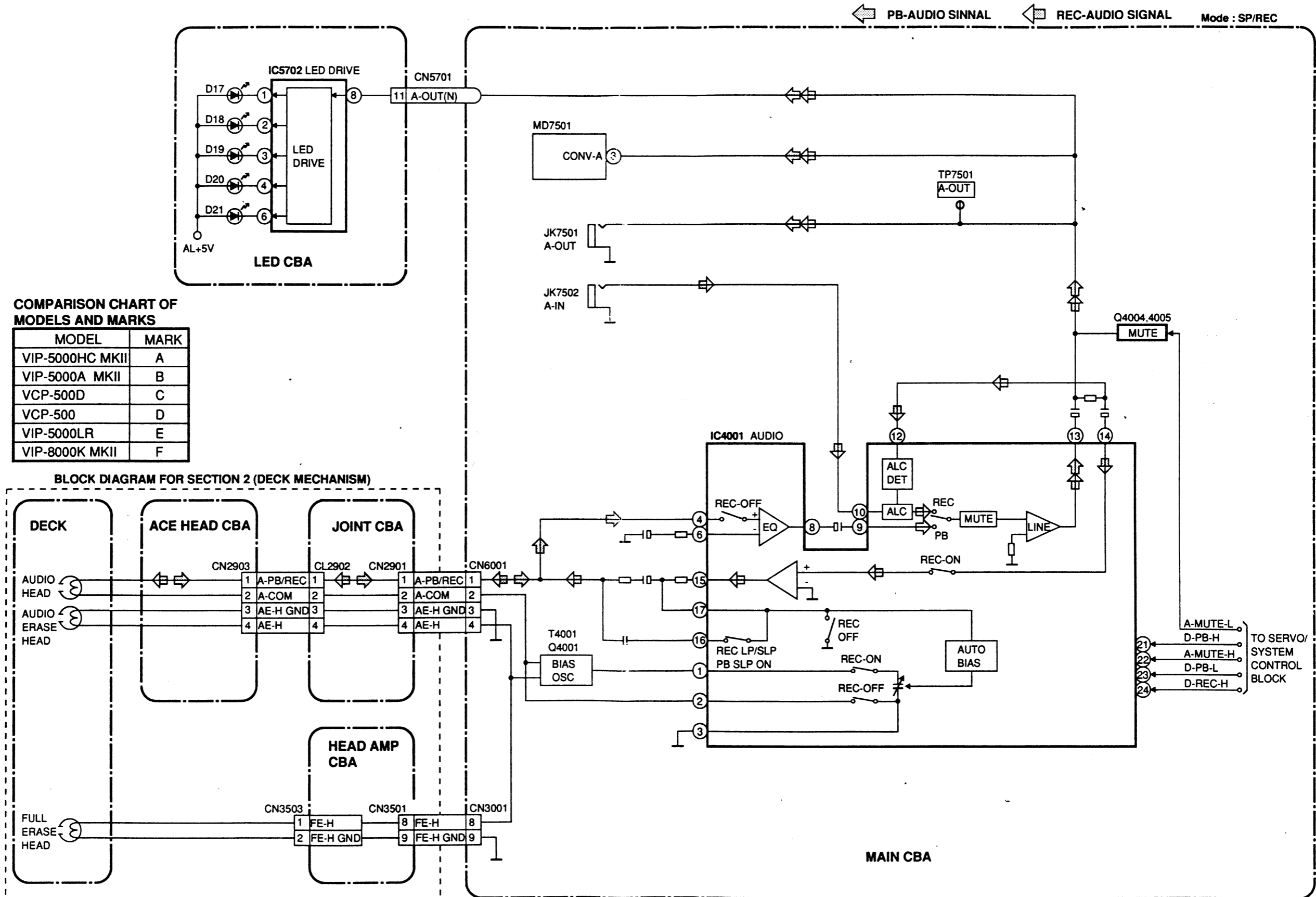
LEAD IDENTIFICATIONS



- 2SA1267
- 2SC3199
- 2SA608
- 2SA1317
- 2SA1346
- 2SC536
- 2SC2058
- 2SC2839
- 2SC3400
- 2SD400
- DTA143
- DTA144
- KRA103M
- KRC103M
- KRA109M



Audio (MODEL: E)

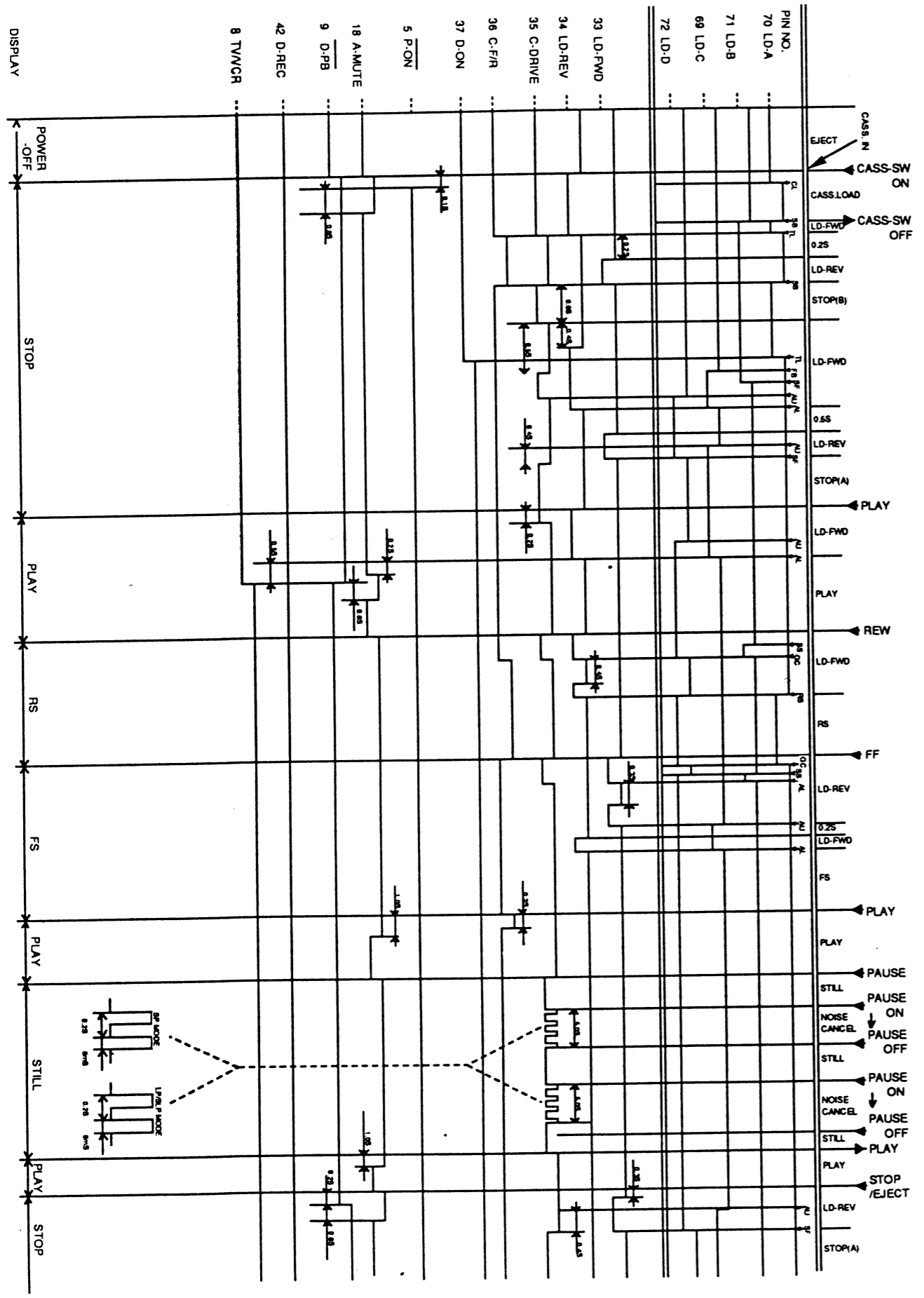


COMPARISON CHART OF MODELS AND MARKS

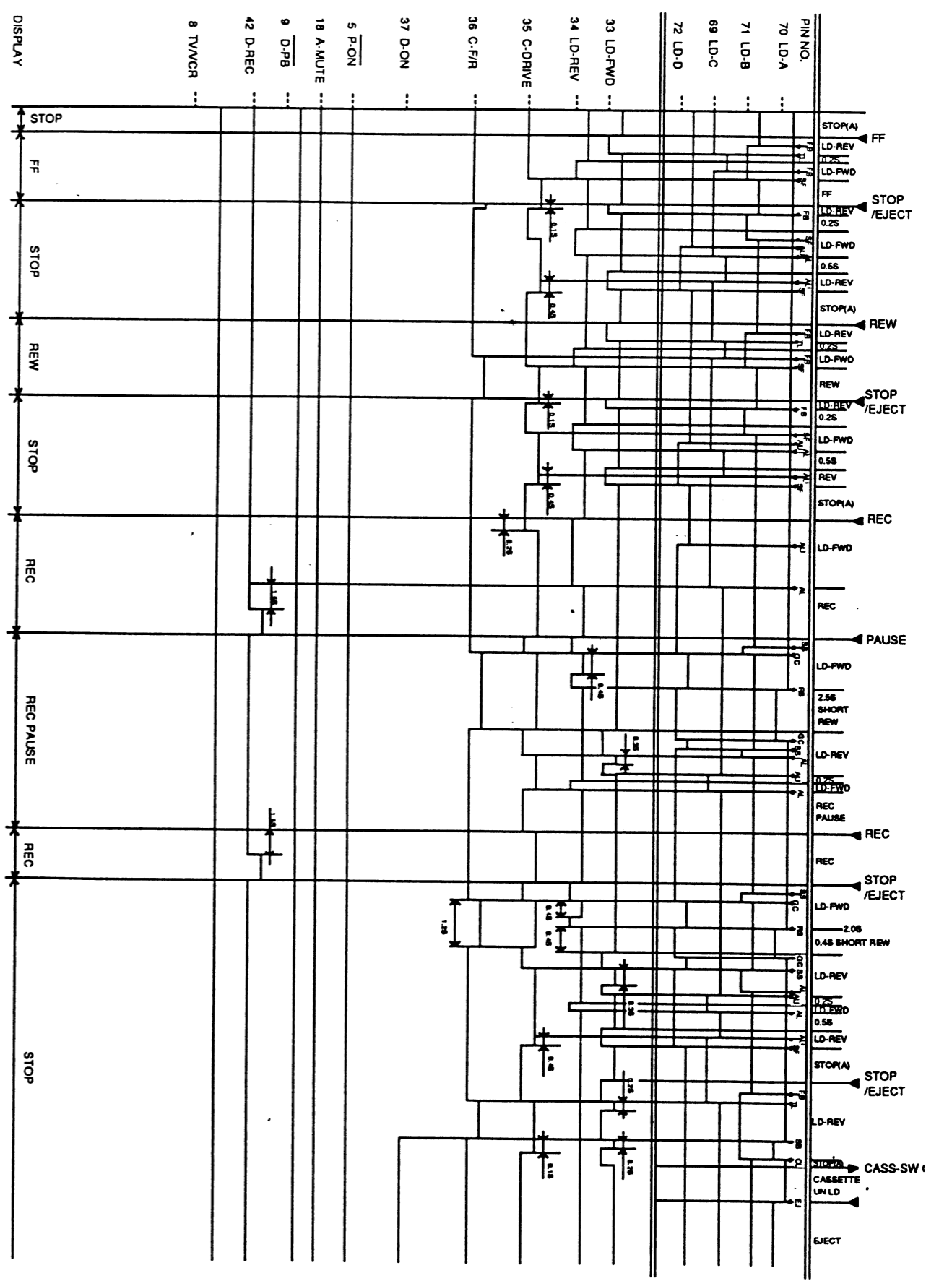
MODEL	MARK
VIP-5000HC MKII	A
VIP-5000A MKII	B
VCP-500D	C
VCP-500	D
VIP-5000LR	E
VIP-8000K MKII	F

BLOCK DIAGRAM FOR SECTION 2 (DECK MECHANISM)

MODEL : E



MODEL : E



IC PIN FUNCTION DESCRIPTION (MODEL : E)

COMPARISON CHART OF MODELS AND MARKS

MODEL	MARK
VIP-5000HC MKII	A
VIP-5000A MKII	B
VCP-500D	C
VCP-500	D
VIP-5000LR	E
VIP-8000K MKII	F

IC6001 QSMQA0RSN023 or QSMQB0RSN023 (SERVO/SYSTEM CONTROL)

"H" ≥ 4.6, "L" ≤ 0.5

Pin No.	IN/OUT	Signal Name	Function	Active Level
1	OUT	RF-SW	Video Head Switching Pulse	H/L
2	-	GRAY-H	Not Used	-
3				
4	OUT	ROTA	Color Phase Rotary Change over Signal	H/L
5				
6				
7	OUT	MESECAM-H	MESECAM mode = "H"	H
8				
9	OUT	NAP	PAL-TV mode/NTSC4.43 TV mode Switching Signal = PALTV "H" NTSC4.43 "L"	H/L
10	OUT	PAL-H	PAL mode = "H"	H
11	OUT	PAL/NTSC	PAL/NTSC mode Switching Signal (PAL = "L"/NTSC = "H")	H/L
12	OUT	D-V (B)	Dummy V-SYNC (B)	H/L
13	OUT	D-V (A)	Dummy V-SYNC (A)	H/L
14				
15	OUT	P-ON-L	Power-on Instruction Signal (P-ON = "L")	L
16	OUT	P-ON-H	Power-on Instruction Signal (P-ON = "H")	H
17				
18				
19	OUT	A-MUTE-H	Audio Mute Output (Mute = "H")	H
20	OUT	D-PB-L	Video/Audio Playback Instruction Signal (Playback = "L")	L
21	OUT	TV/VCR	RF CONV. ON/OFF Signal	H
22	IN	CAS-SW	Cassette IN/OUT Detector (IN/OUT Rotation = "H")	H
23	IN	LD-C	Loading Position Detector	H/L
24	IN	LD-A	Loading Position Detector	H/L
25	IN	LD-B	Loading Position Detector	H/L
26	IN	LD-D	Loading Position Detector	H/L
27	OUT	D-REC	Video/Audio Recording Instruction Signal (Recording = "H")	H
28	OUT	D-PB-H	Video/Audio Playback Instruction Signal (Playback = "H")	H
29	OUT	LD-FWD	Loading Motor Forward Control Output (Forward/Stop = "H")	H
30	OUT	LD-REV	Loading Motor Reverse Control Output (Reverse/Stop = "H")	H
31	OUT	FF-IND	FF Mode Display Output	L
32	OUT	PLAY-IND	PLAY Mode Display Output	L
33	OUT	REW-IND	REW mode Display Output	L
34	OUT	SOFT-IND	Soft Position Mode Display Output	L

Pin No.	IN/OUT	Signal Name	Function	Active Level
35	OUT	A-REPEAT-IND	Auto Repeat Mode Display Output	L
36	OUT	Power/DEW-IND	Power-ON Mode Display Output/Dew mode Display Output (LED Flashing)	L
37	OUT	REC-IND	Rec Mode Display Output	L
38				
39				
40	IN	RESET	System Reset Signal (Usually = "H"/Reset = "L")	L
41	-	VSS	Digital Power GND	-
42	OUT	OSC	Crystal Oscillator 12 MHz	-
43	IN	OSC	Crystal Oscillator 12 MHz	-
44				
45				
46				
47				
48	OUT	SOFT-Position	Soft Position Mode Switching Signal (Soft Position ON = "H")	H
49	IN	A/D KEY - 2	Key Scan Signal Input	-
50	IN	A/D KEY - 1	Key Scan Signal Input	-
51	OUT	DM-ON	Drum Rotation Control Signal Output (Rotation = "H")	H
52	-	A-VSS	Analog Power GND	-
53	-	V REF	Servo Reference Voltage	-
54	-	A-VDD	Analog Power Source +5V	-
55	IN	END-S	Tape END Position Detect	L
56	IN	ST-S	Tape Start Position Detect	L
57	IN	A/D KEY-3	Key Scan Signal Input	-
58	IN	T-REEL	Take up Reel Rotation Signal Input	H/L
59	IN	V-ENV	Video DC Envelope Voltage Input	-
60				
61				
62	IN	PG-DELAY	RF-SW Signal Delay Adjust Voltage Input	-
63	IN	SENS-INH	Interrupt Signals from "Start" "END" "Reel" sensor at "L"	L
64	IN	REC-SAFETY	Erasere Prevention switch	H
65	IN	DEW	Dew Sensor Position Detect	L
66	IN	C-SYNC	Composite Sync Signal Input (V-SYNC Sepa)	H
67	IN	PB-CTL	Capstan Motor Control Pulse Input at Playback Mode	-
68	IN	D-PG	Drum Pulse Generator Input	-
69	IN	D-FG	Drum Frequency Generator Input	-
70	IN	C-FG	Capstan Frequency Generator Signal Input	-
71	OUT	D-CONT	Drum Motor Control Signal	-
72	OUT	C-CONT	Capstan Motor Control Signal	-
73	OUT	CTL-GAIN	CTL Gain switching signal	H
74				
75				
76				
77	IN	CAS-S-INH	Cassette Loading Motion Inhibit by Start Sensor	L
78	IN	VCC	+5V	-
79				
80				
81				
82	OUT	C-DRIVE	Capstan Motor Drive Signal Output (Rotation = "H"/Stop = "L")	H

Pin No.	IN/OUT	Signal Name	Function	Active Level
83	-	D-H	Not Used	-
84				
85	IN	REMOCON	Remote Control Input Signal	H
86				
87				
88				
89	-	VSS	GND	-
90	IN	VDD	+5V	-
91	OUT	A-MUTE-L	Audio Mute Output (Mute = "L")	L
92	OUT	C-F/R	Capstan Motor FWD/REV Control Signal (FWD = "L"/REW = "H")	H/L
93				
94				
95				
96				
97	OUT	FAULT-CHK	SYS-CON Mecha Error Display	-
98	OUT	LED-P	Pulse Signal for ST/END sensor	-
99	OUT	EP-H	Tape Speed EP mode = "H" output	H
100	OUT	LP/EP-H	Tape Speed LP or EP mode = "H" output	H